

TLO 18-32 Battery



Deutsch	5
English	11
Français	18
Italiano	24
Nederlands	31
Español	38
Português	44
Dansk	51
Norsk	57
Svenska	63
Suomi	69
Ελληνικά	75
Türkçe	82
Русский	88
Magyar	95
Čeština	102
Slovenščina	108
Polski	114
Românește	121
Slovenčina	128
Hrvatski	134
Srpski	140
Български	146
Eesti	154
Latviešu	160
Lietuviškai	166
Українська	172
Қазақша	179
日本語	187
العربية	196



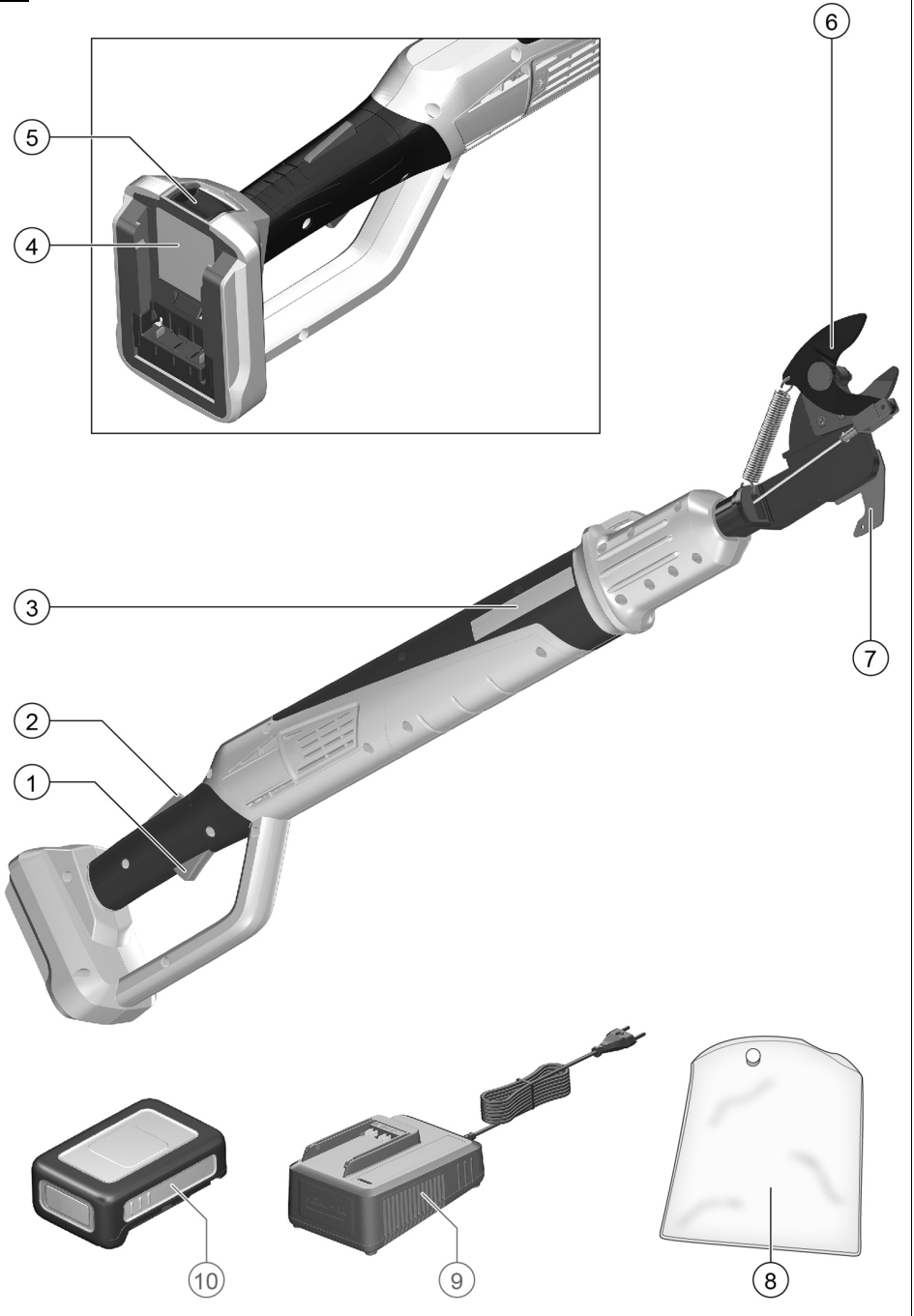
Register
your product

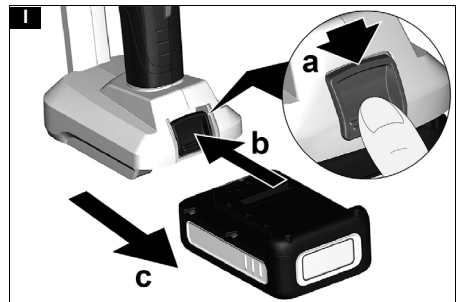
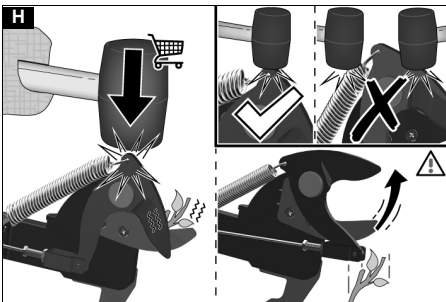
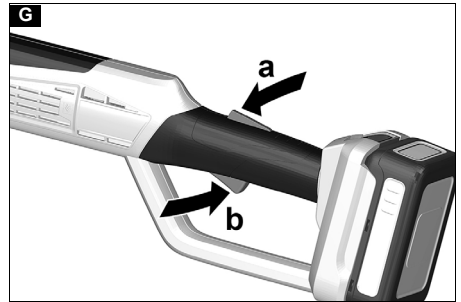
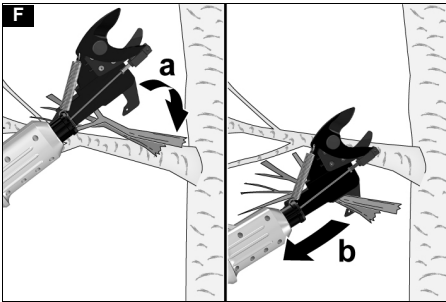
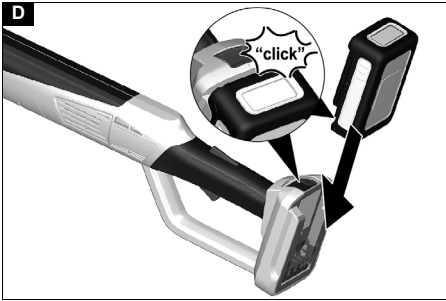
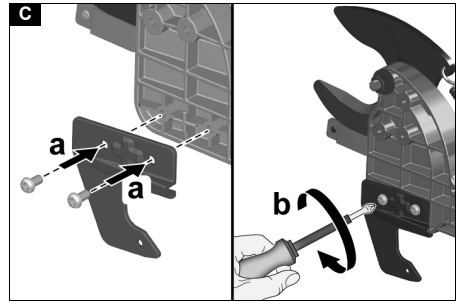
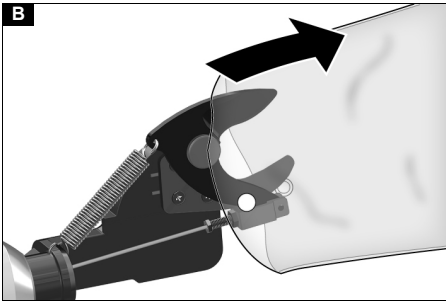
www.kaercher.com/welcome

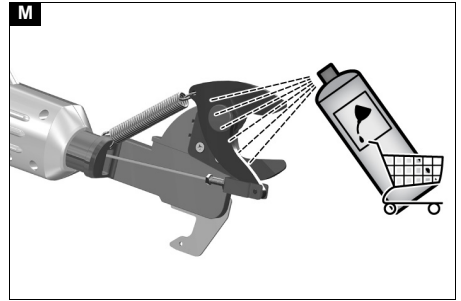
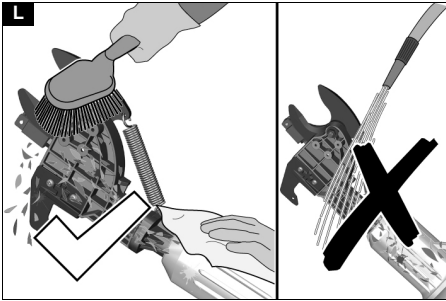
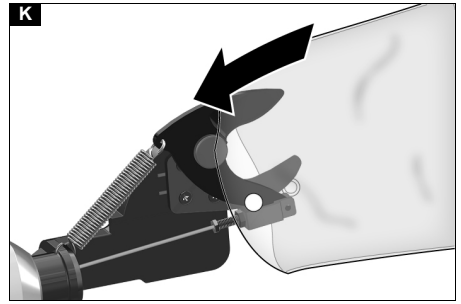
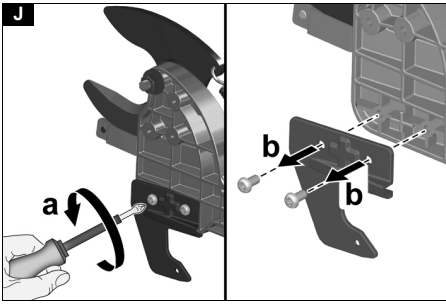


59695640 (03/22)

A







Technische Daten

TLO 18-32		
Leistungsdaten Gerät		
Betriebsspannung	V	18
Durchmesser Schnittgut Weichholz (max.)	mm	32
Durchmesser Schnittgut Hartholz (max.)	mm	28
Dauer Schneidezyklus / Pause	s	10 / 7
Ermittelte Werte gemäß EN 60745-1		
Schalldruckpegel L_{pA}	dB(A)	70,8
Unsicherheit K_{pA}	dB(A)	3,0
Schalleistungspegel L_{WA}	dB(A)	81,8
Unsicherheit K_{WA}	dB(A)	3,0
Hand-Arm-Vibrationswert vorderer Handgriff	m/s^2	0,5
Hand-Arm-Vibrationswert hinterer Handgriff	m/s^2	0,7
Unsicherheit K	m/s^2	1,5
Maße und Gewichte		
Länge x Breite x Höhe	mm	910 x 190 x 95
Gewicht (ohne Akkupack)	kg	2,4

Technische Änderungen vorbehalten.

Vibrationswert

⚠ **WARNUNG**

Der angegebene Vibrationswert wurde mit einem Standard-Testverfahren gemessen und darf zum Vergleich der Geräte verwendet werden.

Der angegebene Vibrationswert darf in einer vorläufigen Bewertung der Belastung verwendet werden.

In Abhängigkeit von der Art und Weise, wie das Gerät verwendet wird, kann die Schwingungsemission während der momentanen Benutzung des Geräts vom angegebenen Gesamtwert abweichen.

Geräte mit einem Hand-Arm Vibrationswert > 2,5 m/s^2 (siehe Kapitel Technische Daten in der Betriebsanleitung)

⚠ **VORSICHT** • Mehrstündige ununterbrochene Benutzung des Geräts kann zu Taubheitsgefühlen führen. • Tragen Sie warme Handschuhe zum Schutz der Hände. • Legen Sie regelmäßige Arbeitspausen ein.

EU-Konformitätserklärung

Hiermit erklären wir, dass die nachfolgend bezeichnete Maschine aufgrund ihrer Konzipierung und Bauart sowie in der von uns in Verkehr gebrachten Ausführung den einschlägigen grundlegenden Sicherheits- und Gesundheitsanforderungen der EU-Richtlinien entspricht. Bei einer nicht mit uns abgestimmten Änderung der Maschine verliert diese Erklärung ihre Gültigkeit.

Produkt: Akku-Astschere

Typ: 1.444-020.0

Einschlägige EU-Richtlinien

2006/42/EG (+2009/127/EG)

2011/65/EU

2014/30/EU

Angewandte harmonisierte Normen

EN 55014-1: 2017

EN 55014-2: 2015

EN 60745-1:2009+A11:2010

EN 50581: 2012

EN ISO 12100: 2010

Die Unterzeichnenden handeln im Auftrag und mit Vollmacht des Vorstands.

H. Jenner

Chairman of the Board of Management

S. Reiser

Director Regulatory Affairs & Certification

Dokumentationsbevollmächtigter:

S. Reiser

Alfred Kärcher SE & Co. KG

Alfred-Kärcher-Str. 28 - 40

71364 Winnenden (Germany)

Tel.: +49 7195 14-0

Fax: +49 7195 14-2212

Winnenden, 2018/07/01

Contents

Safety instructions.....	11
Intended use	14
Environmental protection	14
Accessories and spare parts.....	14
Scope of delivery.....	14
Symbols on the device	14
Description of the device.....	15
Initial startup.....	15
Basic operation	15
Switch on the device	15
Removing blockages.....	15
Removing the battery pack	15
Finishing operation.....	15
Transport.....	15
Storage.....	16
Care and service.....	16
Troubleshooting guide.....	16
Warranty.....	16
Technical data	16
Vibration value	17
Declaration of Conformity.....	17

Safety instructions



Read these safety instructions, these original instructions, the safety instructions provided with the battery pack and the original instructions supplied with battery pack/standard charger before using the device for the first time. Act in accordance with them. Keep the booklets for future reference or for future owners.

In addition to the notes in the operating instructions, you also need to take into consideration the general safety regulations and accident prevention guidelines applicable by law.

Hazard levels

⚠ **DANGER**

- Indication of an imminent threat of danger that will lead to severe injuries or even death.

⚠ WARNING

- Indication of a potentially dangerous situation that may lead to severe injuries or even death.

⚠ CAUTION

- Indication of a potentially dangerous situation that may lead to minor injuries.

ATTENTION

- Indication of a potentially dangerous situation that may lead to damage to property.

General Power Tool Safety Instructions

⚠ WARNING

- **Read all safety warnings and all instructions.** Failure to follow the warnings and instructions may result in electric shock, fire and/or serious injury. **Save all warnings and instructions for future reference.**

The term "power tool" in the warnings refers to your mains-operated (corded) power tool or battery-operated (cordless) power tool.

- 1 Work area safety
 - a **Keep work area clean and well lit.** Cluttered or dark areas invite accidents.
 - b **Do not operate power tools in explosive atmospheres, such as in the presence of flammable liquids, gases or dust.** Power tools create sparks which may ignite the dust or fumes.
 - c **Keep children and bystanders away while operating a power tool.** Distractions can cause you to lose control.
- 2 Electrical safety
 - a **Power tool plugs must match the outlet. Never modify the plug in any way. Do not use any adapter plugs with earthed (grounded) power tools.** Unmodified plugs and matching outlets will reduce the risk of electric shock.
 - b **Avoid body contact with earthed or grounded surfaces such as pipes, radiators, ranges and refrigerators.** There is an increased risk of electric shock if your body is earthed or grounded.
 - c **Do not expose power tools to rain or wet conditions.** Water entering a power tool will increase the risk of electric shock.
 - d **Do not abuse the cord. Never use the cord for carrying, pulling or unplugging the power tool. Keep cord away from heat, oil, sharp edges or moving parts.** Damaged or entangled cords increase the risk of electric shock.
 - e **When operating a power tool outdoors, use an extension cord suitable for outdoor use.** Use of a cord suitable for outdoor use reduces the risk of electric shock.
 - f **If operating a power tool in a damp location is unavoidable, use a residual current device (RCD) protected supply.** Use of an RCD reduces the risk of electric shock.
- 3 Personal safety
 - a **Stay alert, watch what you are doing and use common sense when operating a power tool. Do not use a power tool while you are tired or under the influence of drugs, alcohol or medication.** A moment of inattention while operating power tools may result in serious personal injury.
 - b **Use personal protective equipment. Always wear eye protection. Protective equipment such as dust mask, non-skid safety shoes, hard hat, or hearing protection used for appropriate conditions will reduce personal injuries.**
- 4 Power tool use and care
 - a **Do not force the power tool. Use the correct power tool for your application.** The correct power tool will do the job better and safer at the rate for which it was designed.
 - b **Do not use the power tool if the switch does not turn it on and off.** Any power tool that cannot be controlled with the switch is dangerous and must be repaired.
 - c **Disconnect the plug from the power source and/or the battery pack from the power tool before making any adjustments, changing accessories, or storing power tools.** Such preventive safety measures reduce the risk of starting the power tool accidentally.
 - d **Store idle power tools out of the reach of children and do not allow persons unfamiliar with the power tool or these instructions to operate the power tool.** Power tools are dangerous in the hands of untrained users.
 - e **Maintain power tools. Check for misalignment or binding of moving parts, breakage of parts and any other condition that may affect the power tool's operation. If damaged, have the power tool repaired before use.** Many accidents are caused by poorly maintained power tools.
 - f **Keep cutting tools sharp and clean.** Properly maintained cutting tools with sharp cutting edges are less likely to bind and are easier to control.
 - g **Use the power tool, accessories and tool bits etc. in accordance with these instructions, taking into account the working conditions and the work to be performed.** Use of the power tool for operations different from those intended could result in a hazardous situation.
- 5 Battery tool use and care
 - a **Recharge only with the charger specified by the manufacturer.** A charger that is suitable for one type of battery pack may create a risk of fire when used with another battery pack.
 - b **Use power tools only with specifically designated battery packs.** Use of any other battery packs may create a risk of injury and fire.

- c **When battery pack is not in use, keep it away from other metal objects, like paperclips, coins, keys, nails, screws or other small metal objects that can make a connection from one terminal to another. Shorting the battery terminals together may cause burns or a fire.**
- d **Under abusive conditions, liquid may be ejected from the battery; avoid contact. If contact accidentally occurs, flush with water. If liquid contacts eyes, additionally seek medical help. Liquid ejected from the battery may cause irritation or burns.**

6 Service

- a **Have your power tool serviced by a qualified repair person using only identical replacement parts. This will ensure that the safety of the power tool is maintained.**

Safety instructions for lopping shears

The device has a fixed length of 0.91 m.

⚠ DANGER • Severe injuries through a lack of concentration when working. Do not use the device when under the influence of drugs, alcohol, or medication, or when you are tired.

⚠ WARNING • The device is not intended for use by children, persons with restricted physical, sensory or mental abilities or persons unfamiliar with these instructions. The age of the operator may be limited by local restrictions. • Do not use the device if there is a danger of lightning. • Risk of electric shock. Do not work with the device within 10 m of overhead lines. • Ensure that all protective devices and handles are correctly fitted, securely fastened and in good condition. • Ensure a firm footing, a clean workplace and plan a retreat path from falling branches before using the device. • Always hold the device with both hands. Hold the front handle with one hand. With the other hand hold the rear handle, operate the unlocking button and the power switch.

• Wear long, heavy trousers, clothing with long arms and non-slip boots when working with the device. Do not work barefoot. Do not wear sandals or short trousers.

Avoid wearing loose clothing or clothing with cords and straps. • Risk of kickback due to loss of balance. Avoid an abnormal posture, keep a stable, safe footing and maintain your balance. • Replace any worn or damaged parts before operating the device. • Risk of injury. Do not make any modifications to the device. Do not use the device to drive attachments or devices not recommended by the manufacturer of the device. • Use the device only in daylight or under good artificial lighting.

• You must not use the device if the cutting mechanism does not work properly. • To protect against falling branches, do not stand under the branch or twig that is being cut. • Do not hold the lopping shears at an angle greater than 60° to the ground surface. • Clippings and other material can get stuck between the jaw and blade. Keep the device clean of clippings and other material.

• Risk of injury due to long, uninterrupted use of the device. Take regular breaks while working with the device. • Make sure that the device is correctly positioned before starting it. • Switch the device off, remove the battery pack and make sure that all moving parts have stopped moving:

- Before cleaning the device or removing a blockage.
- When leaving the device unattended.
- Before mounting or removing attachments.

- Before checking, maintaining or working on the device.

⚠ CAUTION • Wear especially safety glasses and hearing protection.

ATTENTION • Only store the device indoors.

Additional safety instructions

⚠ WARNING • Serious injuries due to negligence through familiarity with the device due to frequent use. • Keep the work area clear of bystanders, children and animals while cutting. • Risk of injury if a branch under tension snaps back when cutting. • A sharp cutting edge reduces the risk of injury and increases the cutting performance. Keep the cutting edge sharp and clean, follow the instructions for oiling and replacement of accessory parts. • Check the device for damage before each use and after any impacts. Damaged parts must be repaired or replaced by the authorised Customer Service department. • Immediately stop the device and check for damage or identify the cause of the vibration if the device has been dropped, hit or vibrates abnormally. Have damage repaired by the authorised Customer Service or replace the device. • Danger of injury and damage to the device if unqualified personnel carry out maintenance and care work. Service and maintenance work on this device requires special protective measures and knowledge and may only be carried out by suitably qualified and specially trained specialist personnel. • Risk of injury due to operating error. Keep these operating instructions, read them regularly, and use them for instructing other people how to use the device. Provide these operating instructions with the device when you lend or transfer the device.

⚠ CAUTION • Slippery handles and gripping surfaces prevent safe operation and control of the device in unexpected situations. Keep handles and gripping surfaces dry, clean, and free from oil and grease. • Before starting work, the operator must check that all safety devices are attached correctly and are fully functional.

Safe servicing and care

⚠ WARNING • Turn off the motor, make sure all moving parts have fully stopped and remove the battery pack before inspecting, cleaning, or servicing the device. • Service and maintenance work on this device require special care and knowledge and may only be performed by appropriately qualified personnel. Take the device to an authorized Customer Service department for maintenance. • Ensure that the device is in a safe condition by regularly checking that all bolts, nuts and screws are screwed tight.

⚠ CAUTION • Only use accessories and spare parts and attachments that are approved by the manufacturer. Only original spare parts, original accessories and original attachments ensure fault-free and safe operation of the device. • Injuries and damage to the device when chemicals damage, soften or destroy plastic parts. Avoid contact of plastic parts with brake fluid, petrol, petroleum-based products, rust remover, etc.

ATTENTION • Clean the product with a soft, dry cloth each time after use. • Do not use solvents to clean the plastic parts, as they attack the materials used on the device. Remove impurities such as dust, oil and lubricants using a clean cloth.

Note • You may only perform the adjustments and repairs described in these operating instructions. Contact your authorised Customer Service department for other repairs. • In order to ensure a long and reliable service life of the device, you should carry out the maintenance measures described in the operating instructions on a regular basis.

Safe transport and storage

⚠ WARNING • Switch the device off, allow it to cool down and remove the battery pack before storage or transportation.

⚠ CAUTION • Risk of injury and damage to the device. Secure the device against movement or falling down during transport.

ATTENTION • Remove all foreign bodies from the device before storage or transportation. • Clean the product with a soft, dry cloth each time after use. • Store the device in a dry, well ventilated location out of the reach of children. Keep the device away from corrosive substances such as garden chemicals. • Do not store the device outdoors.

Residual risks

⚠ WARNING • Certain residual risks remain present, even when the device is operated in the prescribed manner. The following dangers can be present when using the device:

- Vibration can cause injuries. Use the correct tools for the job, use the handles provided and restrict the working time and hazard exposure time.
- Severe injuries through contact with the cutting tools. Keep cutting tools away from hands and feet. Fit the blade guard when not using the device, also during short work breaks.
- Injuries caused by hurled objects, e.g. B. wood chips and splinters.

Risk reduction

⚠ CAUTION

- Using the device for longer periods can cause poor circulation in the hands due to vibrations. A general period of use cannot be set, because this depends on several influencing factors:
 - Personal tendency to suffer from poor circulation (frequently cold fingers, tingling sensation in the fingers)
 - Low ambient temperature. Wear warm gloves to protect your hands.
 - Holding the device too tightly hindering blood circulation.
 - Continuous operation is more harmful than operation interrupted by work breaks.
- You should see a doctor if using the device regularly and for lengthy periods of time, and in the event of repeated occurrences of symptoms such as tingling in the fingers or cold fingers.

Intended use

⚠ DANGER

Improper use

Danger of death from incision injuries
Only use the device for its proper use.

- The lopping shears are only intended for private use.
- The device is intended for outdoor use only.

- For safety reasons, always hold the device firmly with both hands.
- The device is intended for cutting and pruning small branches and twigs (for maximum branch thickness see *Technical data*). The user stands securely on the ground.

Any other use, e.g. cutting objects that are not made of wood, is prohibited. The user shall be liable for hazards arising as a result of improper use.

Environmental protection



The packing materials can be recycled. Please dispose of packaging in accordance with the environmental regulations.



Electrical and electronic appliances contain valuable, recyclable materials and often components such as batteries, rechargeable batteries or oil, which - if handled or disposed of incorrectly - can pose a potential threat to human health and the environment. However, these components are required for the correct operation of the appliance. Appliances marked by this symbol are not allowed to be disposed of together with the household rubbish.

Notes on the content materials (REACH)

Current information on content materials can be found at: www.kaercher.com/REACH

Accessories and spare parts

Only use original accessories and original spare parts. They ensure that the appliance will run fault-free and safely.




Information on accessories and spare parts can be found at www.kaercher.com.

Scope of delivery

The scope of delivery for the appliance is shown on the packaging. Check the contents for completeness when unpacking. If any accessories are missing or in the event of any shipping damage, please notify your dealer.

Symbols on the device

	General warning symbol
	Read the operating instructions and all safety instructions before operating the device for the first time.
	Wear non-slip, sturdy gloves when working with the device.
	Wear non-slip safety shoes when working with the device.
	Always wear suitable eye protection and hearing protection when working with the device.
	Do not subject the device to rain or moist conditions.

	Electrical hazard. Keep a minimum distance of 10 m away from overhead lines when working with the device.
	Danger due to flung objects. Keep spectators, especially children and pets, at least 15 m away from the work area.
	Keep your hands away from the blades.

Description of the device

The maximum amount of equipment is described in these operating instructions. Depending on the model used, there are differences in the scope of delivery (see packaging).

See graphics page for illustrations

Illustration A

- ① Trigger
- ② Trigger lockout button
- ③ Handle housing
- ④ Type plate
- ⑤ Battery pack unlocking button
- ⑥ Cutting blade
- ⑦ Hook
- ⑧ Blade guard
- ⑨ *Quick Charger Battery Power 18V
- ⑩ *Battery Pack Battery Power 18V

* Not included in the scope of delivery

Rechargeable battery pack

The device can be operated with a 18 V Kärcher Battery Power battery pack.

Initial startup

Removing the blade guard

1. Remove the blade guard.

Illustration B

Mounting the hook

1. Mount the hook using a suitable Phillips screwdriver.

Illustration C

Installing the battery pack

1. Push the battery pack into the mounting in the device until it audibly latches into place.

Illustration D

Basic operation

1. Check the tree and the branches to see if any damage such as rot is present or if the branches are under tension.

2. Hold the device firmly with both hands.

Illustration E

3. Use the hook to remove loose bark or branches.

Illustration F

Switch on the device

1. Press the trigger lockout button.

Illustration G

2. Press the trigger.
The device starts up.
3. Release the trigger.
The device stops.

Removing blockages

Wood chips or bark can lead to blockage of the cutting blades.

⚠ WARNING

Removing blockages

Incision injuries from the sharp blade or sharp-edged objects

Wear protective gloves when checking for blockages or removing blockages.

1. Press the trigger 3 - 4 times.
If the blockage cannot be removed, proceed as follows:
2. Remove the battery pack (see Chapter *Removing the battery pack*).
3. Gently tap the cutting blade with a piece of wood or a rubber mallet until the blockage is released. Keep your hands away from the cutting blades as the blades suddenly open after removing the blockage.

Illustration H

4. Check that the blades are free to move, if necessary clean foreign bodies from the blades using a brush.
5. Mount the battery pack (see Chapter *Installing the battery pack*).
6. Before further cutting, press the trigger to fully open the blades.

Illustration G

Removing the battery pack

Note

During longer work breaks, remove the battery pack from the device and secure it against unauthorised use.

1. Pull the battery pack unlocking button in the direction of the battery pack.

Illustration I

2. Press the battery pack unlocking button to unlock the battery pack.
3. Remove the battery pack from the device.

Finishing operation

1. Remove the battery pack from the device (see Chapter *Removing the battery pack*).
2. Clean the device (see Chapter *Cleaning the device*).

Transport

⚠ CAUTION

Failure to observe the weight

Risk of injury and damage

Be aware of the weight of the device during transportation.

⚠ CAUTION

Uncontrolled startup

Incision injuries

Remove the battery pack from the device before transport.

Transport the device only with the blade guard fitted.

- Secure the device against slipping and tipping over when transporting in vehicles.

Storage

Clean the device before storing (see Chapter *Cleaning the device*).

⚠ CAUTION

Failure to observe the weight

Risk of injury and damage

Be aware of the weight of the device during storage.

⚠ CAUTION

Uncontrolled startup

Incision injuries

Remove the battery pack from the device before storage.

Store the device only with the blade guard fitted.

1. Remove the hook with a suitable Phillips screwdriver.

Illustration J

2. Fit the blade guard.

Illustration K

3. Store the device in a dry, well ventilated location. Keep away from corrosive substances such as garden chemicals and defrosting salt. Do not store the device outdoors.

Care and service

⚠ CAUTION

Uncontrolled startup

Incision injuries

Remove the battery from the device before all work on the device.

⚠ CAUTION

Sharp cutting blade

Incision injuries

Wear protective gloves when working on the cutting blade.

Cleaning the device

ATTENTION

Improper cleaning

Damage to the handle housing

Do not use solvents to clean the handle housing.

Use clean cloths to remove contaminants such as dust, oil or lubricants.

ATTENTION

Contact with chemicals

Damage to plastic parts

Do not leave the plastic parts with chemicals such as B Brake fluid, gasoline, petroleum-based products or rust remover in contact.

1. Remove the battery pack (see Chapter *Removing the battery pack*).

2. Use a brush to remove any dirt and debris from the cutting blade.

Illustration L

3. Clean the handle housing with a soft, dry cloth.

Oiling the cutting blade

In order to maintain the cutting blade quality, the cutting blade sections should be oiled after each use.

Note

Using thin machine oil or spray oil will yield very good results.

1. Place the device on a flat surface.

2. Apply the oil to the cutting blade.

Illustration M

Before start-up

Before each startup, the following maintenance activities must be carried out:

- Check the device for damage.
- Check all pins, nuts and screws for tightness.
- Check the sharpness of the cutting blade. Replace blunt cutting blade.

Troubleshooting guide

Malfunctions often have simple causes that you can remedy yourself using the following overview. When in doubt, or in the case of malfunctions not mentioned here, please contact your authorised Customer Service.

As the battery pack ages, even if it is looked after, its capacity reduces such that the full run time will no longer be reached when fully charged. This does not indicate a defect.

Fault	Cause	Rectification
The device does not start up	Battery pack is empty	● Charge the battery pack.
	Battery pack is defective.	● Replace the battery pack.
	Battery pack is not inserted correctly.	● Push the battery pack into the mounting until it latches into place.
The device stops during operation	Cutting blade blocked by clippings.	● Remove the clippings.
	The battery has overheated	● Stop working and allow the battery to cool down to normal battery temperature.
	Motor has overheated	● Stop working and allow the motor to cool down.

Warranty

The warranty conditions issued by our relevant sales company apply in all countries. We shall remedy possible malfunctions on your appliance within the warranty period free of cost, provided that a material or manufacturing defect is the cause. In a warranty case, please contact your dealer (with the purchase receipt) or the next authorised customer service site. (See overleaf for the address)

Technical data

		TLO 18-32
Device performance data		
Working voltage of the battery	V	18
Softwood cut material diameter (max.)	mm	32

		TLO 18-32
Hardwood cut material diameter (max.)	mm	28
Duration of cutting cycle / pause	s	10 / 7
Determined values in acc. with EN 60745-1		
Sound pressure level L_{pA}	dB(A)	70,8
Uncertainty K_{pA}	dB(A)	3,0
Sound power level L_{wA}	dB(A)	81,8
Uncertainty K_{wA}	dB(A)	3,0
Front handle hand-arm vibration value	m/s^2	0,5
Rear handle hand-arm vibration value	m/s^2	0,7
Uncertainty K	m/s^2	1,5
Dimensions and weights		
Length x width x height	mm	910 x 190 x 95
Weight (without battery pack)	kg	2,4

Subject to technical modifications.

Vibration value

⚠ WARNING

The specified vibration value was measured using a standard test procedure and may be used to compare devices.

The specified vibration value may be used in a provisional assessment of the load.

Depending on the way the device is used, the vibration emission can deviate from the specified overall value during the current use of the device.

Device with a hand-arm vibration value > 2.5 m/s² (see chapter *Technical Data* in the operating instructions)

⚠ CAUTION • *Uninterrupted use of the device for several hours can lead to numbness.* • *Wear warm gloves to protect your hands.* • *Take regular breaks from work.*

Declaration of Conformity

EU Declaration of Conformity

We hereby declare that the machine described below complies with the relevant basic safety and health requirements in the EU Directives, both in its basic design and construction as well as in the version placed in circulation by us. This declaration is invalidated by any changes made to the machine that are not approved by us.

Product: Battery-powered lopping shears

Type: 1.444-020.0

Currently applicable EU Directives

2006/42/EC (+2009/127/EC)

2011/65/EU

2014/30/EU

Harmonised standards used

EN 55014-1: 2017

EN 55014-2: 2015

EN 60745-1:2009+A11:2010

EN 50581: 2012

EN ISO 12100: 2010

The signatories act on behalf of and with the authority of the company management.



H. Jenner

Chairman of the Board of Management



S. Reiser

Director Regulatory Affairs & Certification

Documentation supervisor:

S. Reiser

Alfred Kärcher SE & Co. KG

Alfred-Kärcher-Str. 28 - 40

71364 Winnenden (Germany)

Ph.: +49 7195 14-0

Fax: +49 7195 14-2212

Winnenden, 2018/07/01

Declaration of Conformity (UK)

We hereby declare that the product described below complies with the relevant provisions of the following UK Regulations, both in its basic design and construction as well as in the version put into circulation by us. This declaration shall cease to be valid if the product is modified without our prior approval.

Product: Battery-powered lopping shears

Type: 1.444-020.0

Currently applicable UK Regulations

S.I. 2008/1597 (as amended)

S.I. 2012/3032 (as amended)

S.I. 2016/1091 (as amended)

Designated standards used

EN 55014-1: 2017

EN 55014-2: 2015

EN 60745-1:2009+A11:2010

EN 50581: 2012

EN ISO 12100: 2010

The signatories act on behalf of and with the authority of the company management.



H. Jenner

Chairman of the Board of Management



S. Reiser

Director Regulatory Affairs & Certification

Documentation supervisor:

S. Reiser

Alfred Kärcher SE & Co. KG

Alfred-Kärcher-Str. 28 - 40

71364 Winnenden (Germany)

Ph.: +49 7195 14-0

Fax: +49 7195 14-2212

Winnenden, 2018/07/01



THANK YOU!
MERCI! DANKE! ¡GRACIAS!



Registrieren Sie Ihr Produkt und profitieren Sie von vielen Vorteilen.

Register your product and benefit from many advantages.

Enregistrez votre produit et bénéficiez de nombreux avantages.

Registre su producto y aproveche de muchas ventajas.

www.kaercher.com/welcome



Bewerten Sie Ihr Produkt und sagen Sie uns Ihre Meinung.

Rate your product and tell us your opinion.

Évaluer votre produit et dites-nous votre opinion.

Reseñe su producto y díganos su opinión.



www.kaercher.com/dealersearch

Alfred Kärcher SE & Co. KG
Alfred-Kärcher-Str. 28-40
71364 Winnenden (Germany)
Tel.: +49 7195 14-0
Fax: +49 7195 14-2212

